

**Half nipple, stainless  
steel 1.4404/316L,  
DN 50 ISO-KF**

---



**PFEIFFER** 

# Half nipple

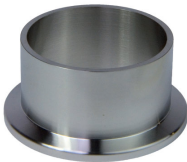
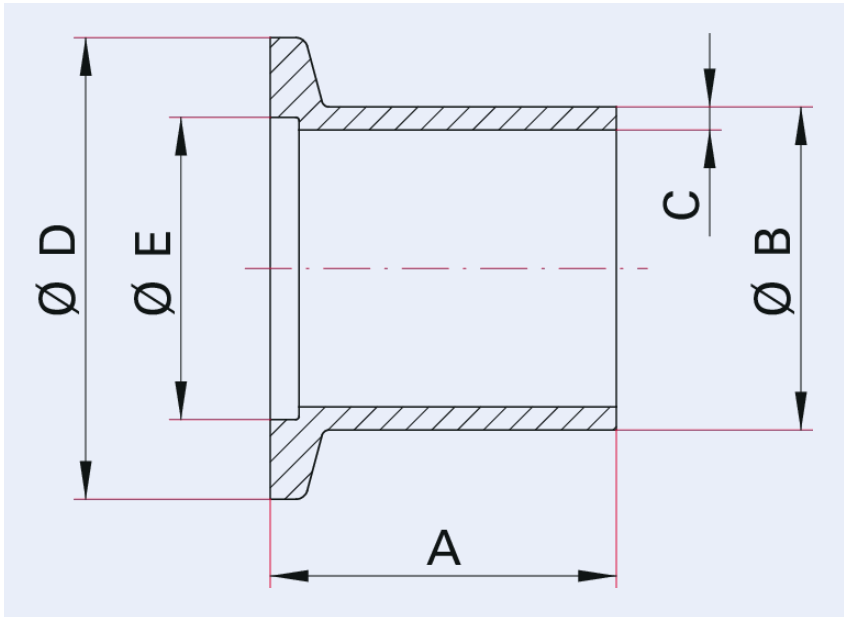


Illustration only

## Half nipple, stainless steel 1.4404/316L, DN 50 ISO-KF

- Custom lengths on request

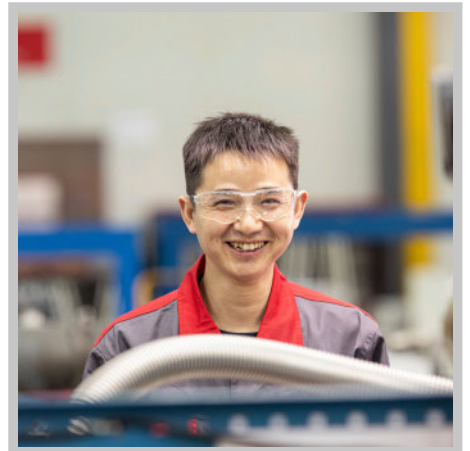
### Dimensions



A	70 mm
B	57 mm
C	3.2 mm
D	75 mm
E	52.4 mm

<b>Technical Data</b>	<b>Half nipple, stainless steel 1.4404/316L, DN 50 ISO-KF</b>
Materials in contact with media	Stainless steel 1.4404 (AISI 316L)
Pipe dimension	57 mm × 3.2 mm
Temperature range	196 – 350 °C
Connection flange	DN 50 ISO-KF
Pressure range	1 · 10 <sup>-8</sup> hPa – 1.5 · 10 <sup>3</sup> hPa over pressure (elastomer seal); 1 · 10 <sup>-9</sup> hPa – 1.5 · 10 <sup>3</sup> hPa over pressure (metal seal)
Temperature range max.	350 °C   662 °F   623.15 K
Temperature range min.	196 °C   320.8 °F   77.15 K

<b>Order number</b>	<b>Half nipple, stainless steel 1.4404/316L, DN 50 ISO-KF</b>
Half nipple, stainless steel 1.4404/316L, DN 50 ISO-KF	170FRA050-57-70



Errors and/or changes excepted. - 5/14/2025

Are you looking for an optimum vacuum solution?

Talk to us:

**Pfeiffer Vacuum Components & Solutions GmbH Germany**

**T +49 551 99963-0**

**info-cs@pfeiffer-vacuum.com**

Or scan the barcode, to visit our web page:



<https://webportal.pfeiffer-vacuum.com/global/en/contact>

Follow Us On Social Media

#pfeiffervacuum



[www.pfeiffer-vacuum.com](http://www.pfeiffer-vacuum.com)

**PFEIFFER** 