



CR sleeve, DN 25 ISO-KF

PFEIFFER 

CR sleeve

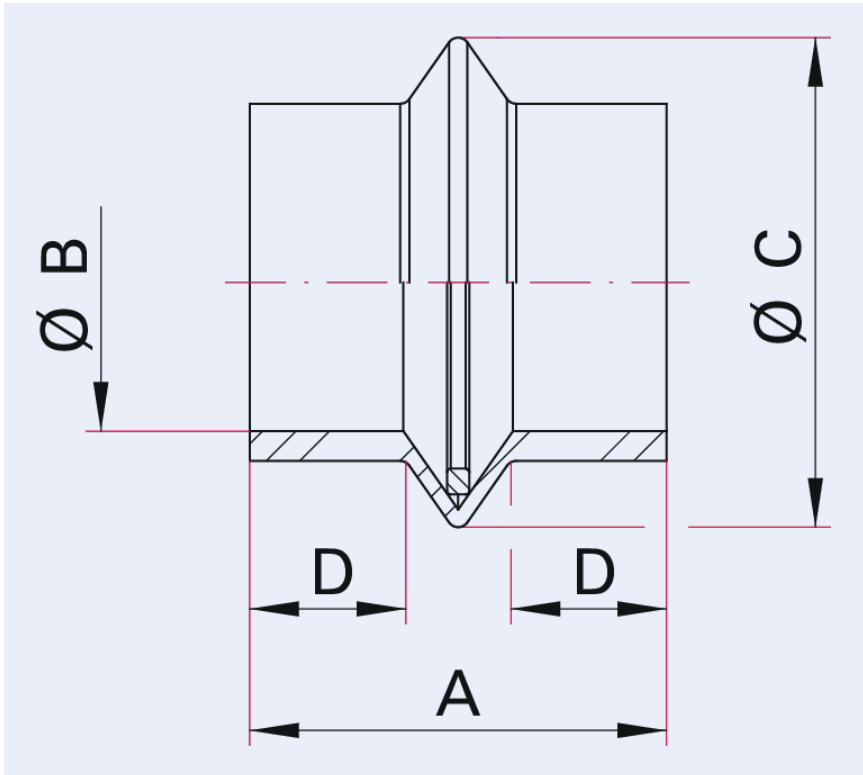


Illustration only

CR sleeve, DN 25 ISO-KF

- Sleeve made from chloroprene rubber

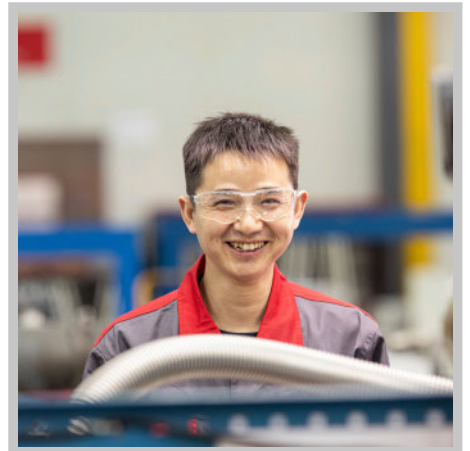
Dimensions



A	50 mm
B	25 mm
C	50 mm
D	15 mm

Technical Data	CR sleeve, DN 25 ISO-KF
Materials in contact with media	Chloroprene rubber (CR)
Temperature range	5 - 120 °C
Connection flange	DN 25 ISO-KF
Pressure range	1 · 10 ⁻⁵ hPa - to ambient pressure
Connection	Adapter for PVC hose (see adapters) and hose clamp (see accessories)
Temperature range max.	120 °C 248 °F 393.15 K
Temperature range min.	5 °C 23 °F 268.15 K

Order number	CR sleeve, DN 25 ISO-KF
CR sleeve, DN 25 ISO-KF	130SMA028.A



Errors and/or changes excepted. - 5/14/2025

Are you looking for an optimum vacuum solution?
Talk to us:
Pfeiffer Vacuum Components & Solutions GmbH Germany
T +49 551 99963-0
info-cs@pfeiffer-vacuum.com

Or scan the barcode, to visit our web page:



<https://webportal.pfeiffer-vacuum.com/global/en/contact>

Follow Us On Social Media
#pfeiffervacuum



www.pfeiffer-vacuum.com

PFEIFFER 