



**PVC Hose with
embedded spring, PVC,
ID 13 mm**



PFEIFFER 

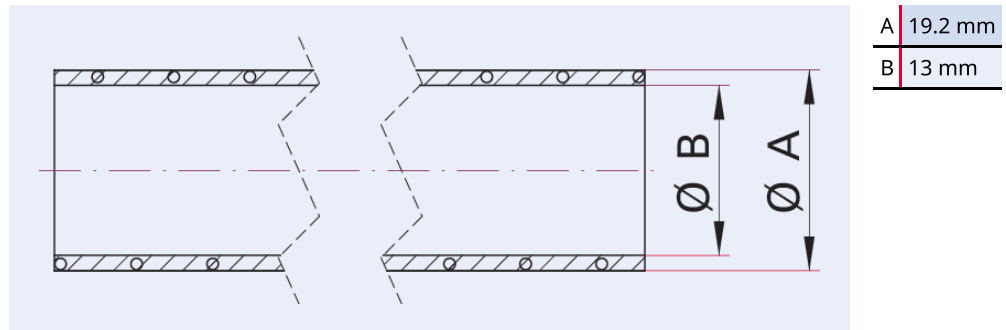


Illustration only

PVC Hose with embedded spring, PVC, ID 13 mm

- Inner tube: PVC, transparent
- Casing: Steel coil
- Hose cover: PVC, transparent
- Smooth inner and outer walls
- Length: Up to 50 m; minimum order: 1 m; orders > 1 m calculated pro rata

Dimensions



| Technical Data | PVC Hose with embedded spring, PVC, ID 13 mm |
|---------------------------------|--|
| Materials in contact with media | PVC |
| Temperature range | 5 – 40 °C |
| Bending radius | 40 mm 1.57 inch |
| Pressure range | $1 \cdot 10^{-4}$ hPa – $5 \cdot 10^2$ hPa over pressure |
| Material | Steel coil |
| Connection | Hose adapter and hose clamp |
| Temperature range max. | 40 °C 104 °F 313.15 K |
| Temperature range min. | 5 °C 23 °F 268.15 K |

| Order number | PVC Hose with embedded spring, PVC, ID 13 mm |
|--|---|
| PVC Hose with embedded spring, PVC, ID 13 mm | 100SPM016-13 |



Errors and/or changes excepted. - 5/15/2025

Are you looking for an optimum vacuum solution?
Talk to us:
Pfeiffer Vacuum Components & Solutions GmbH Germany
T +49 551 99963-0
info-cs@pfeiffer-vacuum.com

Or scan the barcode, to visit our web page:



<https://webportal.pfeiffer-vacuum.com/global/en/contact>

Follow Us On Social Media
#pfeiffervacuum



www.pfeiffer-vacuum.com

PFEIFFER 