



**PVC Hose with  
embedded spring, PVC,  
ID 10 mm**

---



**PFEIFFER** 

# PVC Hose

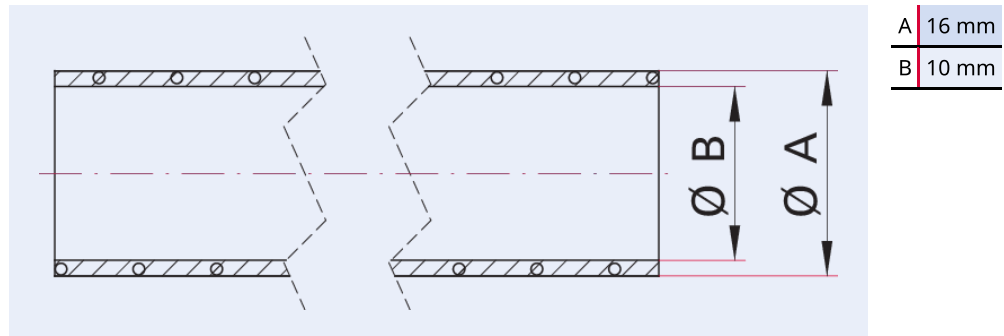


Illustration only

## PVC Hose with embedded spring, PVC, ID 10 mm

- Inner tube: PVC, transparent
- Casing: Steel coil
- Hose cover: PVC, transparent
- Smooth inner and outer walls
- Length: Up to 50 m; minimum order: 1 m; orders > 1 m calculated pro rata

## Dimensions



Technical Data	PVC Hose with embedded spring, PVC, ID 10 mm
Materials in contact with media	PVC
Temperature range	5 – 40 °C
Bending radius	30 mm   1.18 inch
Pressure range	$1 \cdot 10^{-4}$ hPa – $5 \cdot 10^2$ hPa over pressure
Material	Steel coil
Connection	Hose adapter and hose clamp
Temperature range max.	40 °C   104 °F   313.15 K
Temperature range min.	5 °C   23 °F   268.15 K

<b>Order number</b>	<b>PVC Hose with embedded spring, PVC, ID 10 mm</b>
PVC Hose with embedded spring, PVC, ID 10 mm	100SPM016-10



Errors and/or changes excepted. - 5/15/2025

Are you looking for an optimum vacuum solution?

Talk to us:

**Pfeiffer Vacuum Components & Solutions GmbH Germany**

**T +49 551 99963-0**

**info-cs@pfeiffer-vacuum.com**

Or scan the barcode, to visit our web page:



<https://webportal.pfeiffer-vacuum.com/global/en/contact>

Follow Us On Social Media

#pfeiffervacuum



[www.pfeiffer-vacuum.com](http://www.pfeiffer-vacuum.com)

**PFEIFFER** 