



**PVC Hose with
embedded spring, PVC,
ID 40 mm**



PFEIFFER

PVC Hose

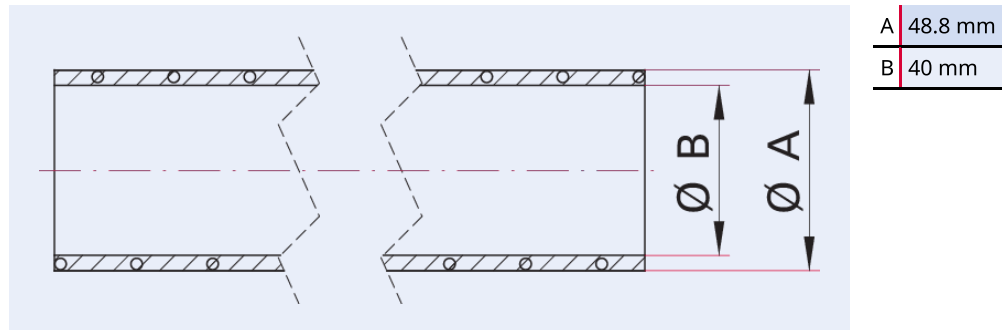


Illustration only

PVC Hose with embedded spring, PVC, ID 40 mm

- Inner tube: PVC, transparent
- Casing: Steel coil
- Hose cover: PVC, transparent
- Smooth inner and outer walls
- Length: up to 30 m; min. order: 1 m; orders > 1 m calculated pro rata

Dimensions



Technical Data	PVC Hose with embedded spring, PVC, ID 40 mm
Materials in contact with media	PVC
Temperature range	5 – 40 °C
Bending radius	180 mm 7.09 inch
Pressure range	$1 \cdot 10^{-4}$ hPa – $5 \cdot 10^2$ hPa over pressure
Material	Steel coil
Connection	Hose adapter and hose clamp
Temperature range max.	40 °C 104 °F 313.15 K
Temperature range min.	5 °C 23 °F 268.15 K

Order number	PVC Hose with embedded spring, PVC, ID 40 mm
PVC Hose with embedded spring, PVC, ID 40 mm	100SPM040-40.B



Errors and/or changes excepted. - 5/15/2025

Are you looking for an optimum vacuum solution?

Talk to us:

Pfeiffer Vacuum Components & Solutions GmbH Germany

T +49 551 99963-0

info-cs@pfeiffer-vacuum.com

Or scan the barcode, to visit our web page:



<https://webportal.pfeiffer-vacuum.com/global/en/contact>

Follow Us On Social Media

#pfeiffervacuum



www.pfeiffer-vacuum.com

PFEIFFER 