

**Claw clamp, stainless
steel 304/1.4301,
DN 160-250 ISO-K**

PFEIFFER 

Claw clamp

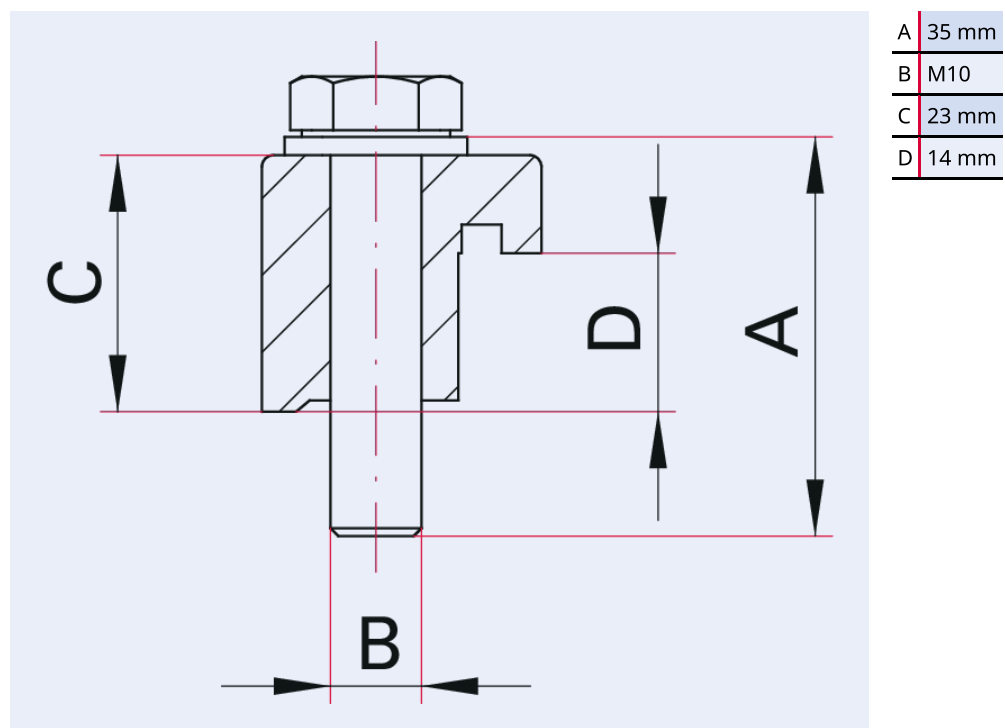


Illustration only

Claw clamp, stainless steel 304/1.4301, DN 160-250 ISO-K

- Zinc-plated and stainless steel versions: Suitable for use with metal and elastomer seals
- Aluminum version: Suitable for use with elastomer seals
- For installing an ISO-K flange on a base plate with a centering ring lying on it
- For a base plate with O-ring groove, please use the shorter claw clamp for the base plate with the sealing groove (BPD)
- Not to be used for the installation of turbo pumps! Use the fastening elements given in the corresponding operating instructions.

Dimensions



Technical Data	Claw clamp, stainless steel 304/1.4301, DN 160-250 ISO-K
Temperature range	196 – 300 °C
Connection flange	DN 160 – DN 250 ISO-K
Material	Stainless steel 1.4301/304
Temperature range max.	300 °C 572 °F 573.15 K
Temperature range min.	196 °C 320.8 °F 77.15 K

Order number	Claw clamp, stainless steel 304/1.4301, DN 160-250 ISO-K
Claw clamp, stainless steel 304/1.4301, DN 160-250 ISO-K	320BPR250



Errors and/or changes excepted. - 5/14/2025

Are you looking for an optimum vacuum solution?

Talk to us:

Pfeiffer Vacuum Components & Solutions GmbH Germany

T +49 551 99963-0

info-cs@pfeiffer-vacuum.com

Or scan the barcode, to visit our web page:



<https://webportal.pfeiffer-vacuum.com/global/en/contact>

Follow Us On Social Media

#pfeiffervacuum



www.pfeiffer-vacuum.com

PFEIFFER 