



**Welded flange ring,  
stainless steel  
304/1.4301, DN 63 ISO-  
K, 2 mm**

---



**PFEIFFER**

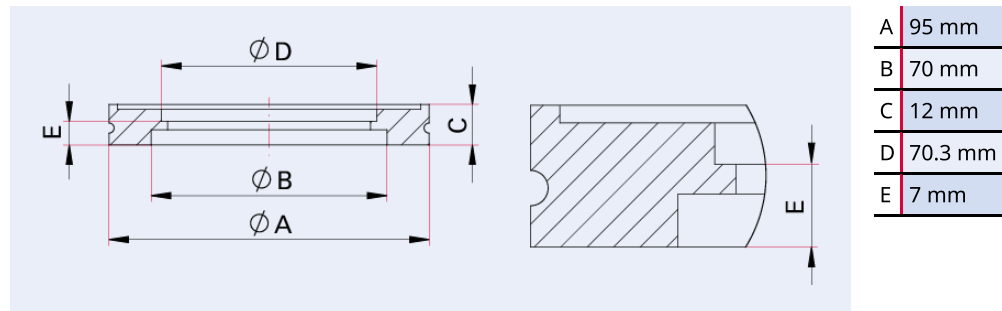
# Welding flange ring



Illustration only

**Welded flange ring, stainless steel 304/1.4301, DN 63 ISO-K, 2 mm**

## Dimensions



## Technical Data

| Technical Data                  | Welded flange ring, stainless steel<br>304/1.4301, DN 63 ISO-K, 2 mm   |
|---------------------------------|--|
| Materials in contact with media | Stainless steel 1.4301 (AISI 304)  |
| Pipe dimension                  | 70 mm × 2 mm   |
| Temperature range               | 196 – 300 °C   |
| Connection flange               | DN 63 ISO-K  |
| Pressure range                  | 1 · 10 <sup>-8</sup> hPa – 1.5 · 10 <sup>3</sup> hPa over pressure<br>(elastomer seal); 1 · 10 <sup>-9</sup> hPa – 1.5 · 10 <sup>3</sup> hPa over<br>pressure (metal seal) |
| Temperature range max.          | 300 °C   572 °F   573.15 K   |
| Temperature range min.          | 196 °C   320.8 °F   77.15 K  |

## Order number

| Order number   | Welded flange ring, stainless steel<br>304/1.4301, DN 63 ISO-K, 2 mm |
|--|--|
| Welded flange ring, stainless steel<br>304/1.4301, DN 63 ISO-K, 2 mm | 320FAN063-70   |



Errors and/or changes excepted. - 5/14/2025

Are you looking for an optimum vacuum solution?

Talk to us:

**Pfeiffer Vacuum Components & Solutions GmbH Germany**

**T +49 551 99963-0**

**info-cs@pfeiffer-vacuum.com**

Or scan the barcode, to visit our web page:



<https://webportal.pfeiffer-vacuum.com/global/en/contact>

Follow Us On Social Media

#pfeiffervacuum



[www.pfeiffer-vacuum.com](http://www.pfeiffer-vacuum.com)

**PFEIFFER** 