



**Centering ring with
sintered metal filter,
stainless steel, FKM,
DN 50 ISO-KF**

PFEIFFER 

Centering ring

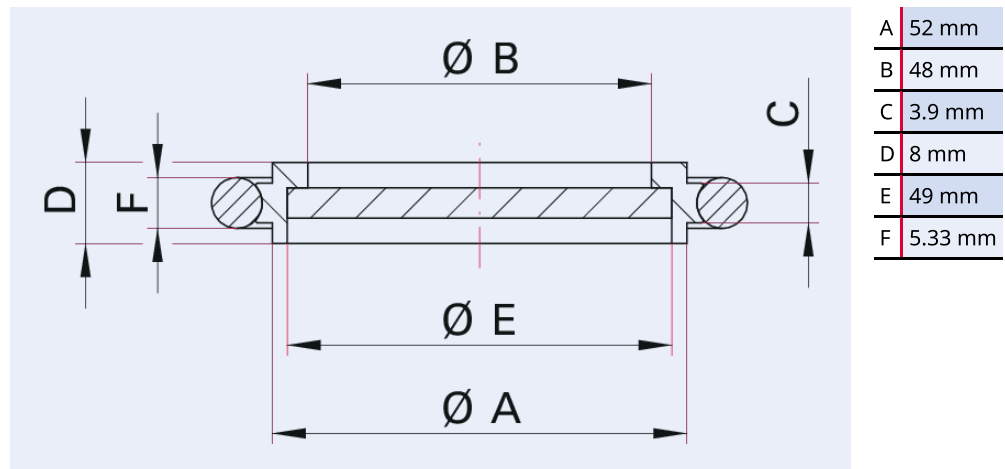


Illustration only

Centering ring with sintered metal filter, stainless steel, FKM, DN 50 ISO-KF

- With Sintered Metal Filter made of Sintered Bronze
- Mesh size (average pore size): approx. 0.02 mm
- With FKM-o-ring

Dimensions



| | |
|---|---------|
| A | 52 mm |
| B | 48 mm |
| C | 3.9 mm |
| D | 8 mm |
| E | 49 mm |
| F | 5.33 mm |

| Technical Data | Centering ring with sintered metal filter, stainless steel, FKM, DN 50 ISO-KF |
|------------------------|--|
| Mesh | Average pore diameter: Approximately 0.02 mm or 0.004 mm |
| O-ring material | FKM |
| Temperature range | 15 – 150 °C |
| Connection flange | DN 50 ISO-KF |
| Material | Ring: Stainless steel 1.4301/304, Sintered Metal Filter: Sintered bronze |
| Temperature range max. | 150 °C 302 °F 423.15 K |
| Temperature range min. | 15 °C 5 °F 258.15 K |

| Order number | Centering ring with sintered metal filter, stainless steel, FKM, DN 50 ISO-KF |
|---|--|
| Centering ring with sintered metal filter, stainless steel, FKM, DN 50 ISO-KF | 122ZRS050 |



Errors and/or changes excepted. - 5/15/2025

Are you looking for an optimum vacuum solution?

Talk to us:

Pfeiffer Vacuum Components & Solutions GmbH Germany

T +49 551 99963-0

info-cs@pfeiffer-vacuum.com

Or scan the barcode, to visit our web page:



<https://webportal.pfeiffer-vacuum.com/global/en/contact>

Follow Us On Social Media

#pfeiffervacuum



www.pfeiffer-vacuum.com

PFEIFFER 