



**Bellows-sealed  
precision linear  
feedthrough, 10 mm  
stroke, manual, fine,  
DN 16 CF**

---



**PFEIFFER** 

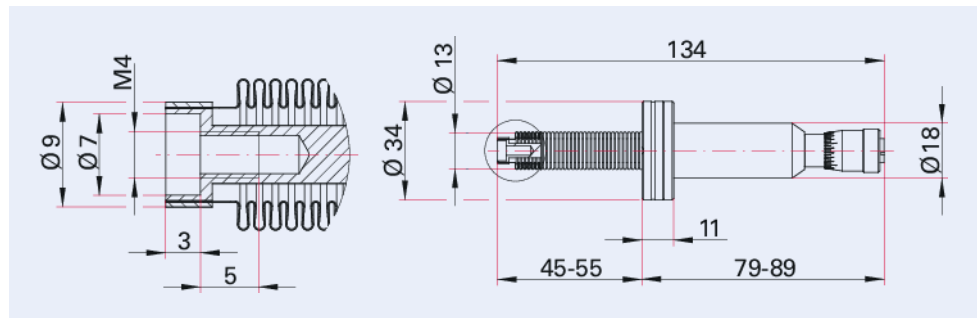


Illustration only

## Bellows-sealed precision linear feedthrough, 10 mm stroke, manual, fine, DN 16 CF

- Hermetically sealed, suitable for UHV
- Bellows-sealed
- Protective cover optionally available

## Dimensions



<b>Technical Data</b>	<b>Bellows-sealed precision linear feedthrough, 10 mm stroke, manual, fine, DN 16 CF</b>
Materials in contact with media	Stainless steel
Operating temperature	≤ 50 °C
Precision	5 μm
Mounting orientation	Arbitrary
Mode of operation	Micrometer screw
Fastening	Screws M4 x 5 screw (on the punch)
Actuator	Micrometer screw
Tightness	1 · 10 <sup>-11</sup> Pa m <sup>3</sup> /s   7.5 · 10 <sup>-11</sup> Torr l/s   1 · 10 <sup>-10</sup> mbar l/s
Bakeout temperature: micrometer screw/piston max.	100 °C   212 °F   373 K
Bakeout temperature: feedthrough max.	300 °C   572 °F   573 K
Stroke	10 mm   0.393701 inch
Axial force	≤50 N
Resolution	5 μm
Connection flange	DN 16 CF
Pressure range	1 · 10 <sup>-9</sup> hPa – 5 · 10 <sup>2</sup> hPa over pressure

<b>Order number</b>	<b>Bellows-sealed precision linear feedthrough, 10 mm stroke, manual, fine, DN 16 CF</b>
Bellows-sealed precision linear feedthrough, 10 mm stroke, manual, fine, DN 16 CF	420MZF016-010



Errors and/or changes excepted. - 5/14/2025

Are you looking for an optimum vacuum solution?  
Talk to us:  
**Pfeiffer Vacuum Components & Solutions GmbH Germany**  
T +49 551 99963-0  
info-cs@pfeiffer-vacuum.com

Or scan the barcode, to visit our web page:



<https://webportal.pfeiffer-vacuum.com/global/en/contact>

Follow Us On Social Media  
#pfeiffervacuum



[www.pfeiffer-vacuum.com](http://www.pfeiffer-vacuum.com)

**PFEIFFER** 