



**Welded flange ring,  
stainless steel  
316L/1.4404, DN 80 ISO-  
K, 76.1 mm**

---

**PFEIFFER** 

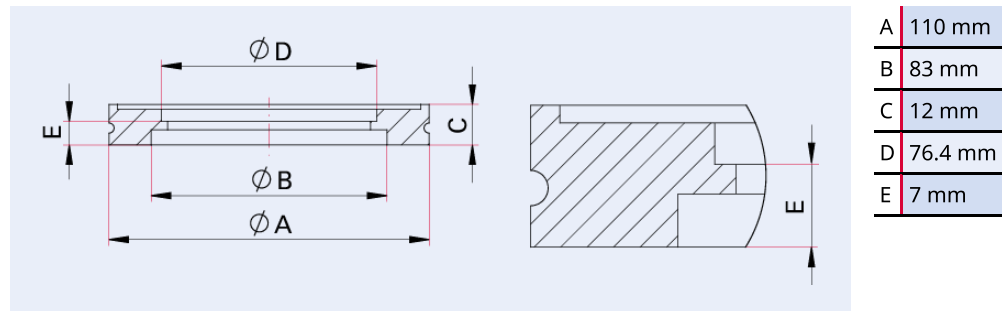
# Welding flange ring



Illustration only

**Welded flange ring, stainless steel 316L/1.4404, DN 80 ISO-K, 76.1 mm**

## Dimensions



## Technical Data

Technical Data	Welded flange ring, stainless steel 316L/1.4404, DN 80 ISO-K, 76.1 mm
Materials in contact with media	Stainless steel 1.4404 (AISI 316L)
Pipe dimension	76.1 mm × 3 mm
Temperature range	196 – 350 °C
Connection flange	DN 80 ISO-K
Pressure range	1 · 10 <sup>-8</sup> hPa – 1.5 · 10 <sup>3</sup> hPa over pressure (elastomer seal); 1 · 10 <sup>-9</sup> hPa – 1.5 · 10 <sup>3</sup> hPa over pressure (metal seal)
Temperature range max.	350 °C   662 °F   623.15 K
Temperature range min.	196 °C   320.8 °F   77.15 K

## Order number

Order number	Welded flange ring, stainless steel 316L/1.4404, DN 80 ISO-K, 76.1 mm
Welded flange ring, stainless steel 316L/1.4404, DN 80 ISO-K, 76.1 mm	370FAN080-76



Errors and/or changes excepted. - 5/14/2025

Are you looking for an optimum vacuum solution?

Talk to us:

**Pfeiffer Vacuum Components & Solutions GmbH Germany**

**T +49 551 99963-0**

**info-cs@pfeiffer-vacuum.com**

Or scan the barcode, to visit our web page:



<https://webportal.pfeiffer-vacuum.com/global/en/contact>

Follow Us On Social Media

#pfeiffervacuum



[www.pfeiffer-vacuum.com](http://www.pfeiffer-vacuum.com)

**PFEIFFER** 