

**Claw clamp, zinc-plated  
steel, DN 630 ISO-K**

---

**PFEIFFER** 

# Claw clamp

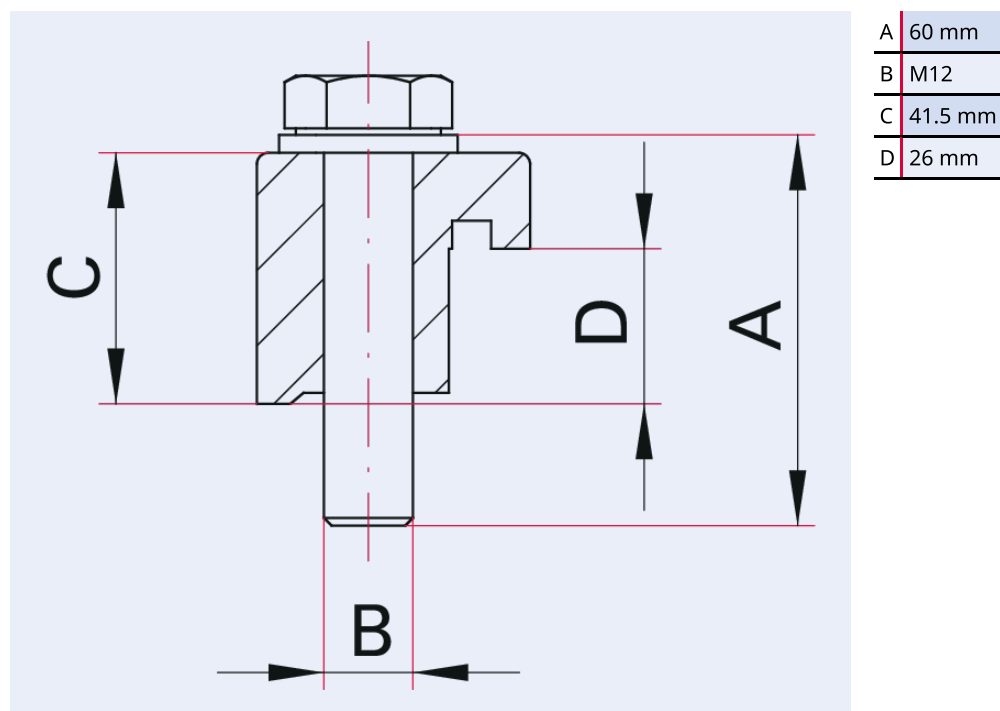


Illustration only

## Claw clamp, zinc-plated steel, DN 630 ISO-K

- Zinc-plated and stainless steel versions: Suitable for use with metal and elastomer seals
- Aluminum version: Suitable for use with elastomer seals
- For installing an ISO-K flange on a base plate with a centering ring lying on it
- For a base plate with O-ring groove, please use the shorter claw clamp for the base plate with the sealing groove (BPD)
- Not to be used for the installation of turbo pumps! Use the fastening elements given in the corresponding operating instructions.

## Dimensions



<b>Technical Data</b>	<b>Claw clamp, zinc-plated steel, DN 630 ISO-K</b>
Temperature range	0 – 200 °C
Connection flange	DN 630 ISO-K
Material	Zinc-plated steel
Temperature range max.	200 °C   392 °F   473.15 K
Temperature range min.	0 °C   32 °F   273.15 K

<b>Order number</b>	<b>Claw clamp, zinc-plated steel, DN 630 ISO-K</b>
Claw clamp, zinc-plated steel, DN 630 ISO-K	350BPR630



Errors and/or changes excepted. - 5/14/2025

Are you looking for an optimum vacuum solution?

Talk to us:

**Pfeiffer Vacuum Components & Solutions GmbH Germany**

**T +49 551 99963-0**

**info-cs@pfeiffer-vacuum.com**

Or scan the barcode, to visit our web page:



<https://webportal.pfeiffer-vacuum.com/global/en/contact>

Follow Us On Social Media

#pfeiffervacuum



[www.pfeiffer-vacuum.com](http://www.pfeiffer-vacuum.com)

**PFEIFFER** 