



**Welded flange ring,  
stainless steel  
316L/1.4404,  
DN 100 ISO-K, 2.1 mm**

---

**PFEIFFER** 

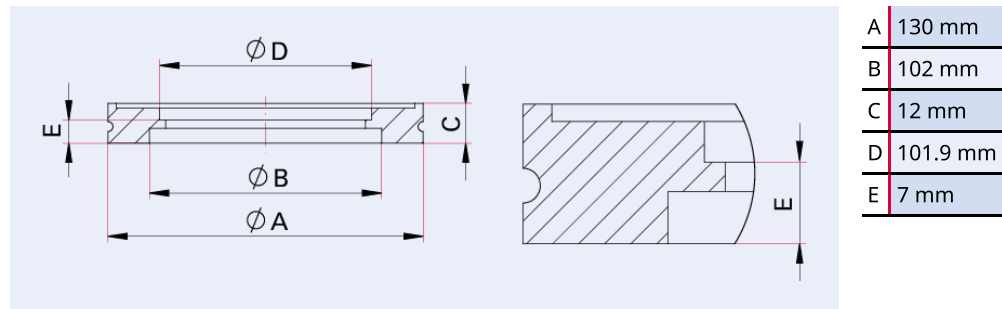
# Welding flange ring



Illustration only

**Welded flange ring, stainless steel 316L/1.4404, DN 100 ISO-K, 2.1 mm**

## Dimensions



Technical Data	Welded flange ring, stainless steel 316L/1.4404, DN 100 ISO-K, 2.1 mm
Materials in contact with media	Stainless steel 1.4404 (AISI 316L)
Pipe dimension	101.6 mm × 2.1 mm
Temperature range	196 – 350 °C
Connection flange	DN 100 ISO-K
Pressure range	1 · 10 <sup>-8</sup> hPa – 1.5 · 10 <sup>3</sup> hPa over pressure (elastomer seal); 1 · 10 <sup>-9</sup> hPa – 1.5 · 10 <sup>3</sup> hPa over pressure (metal seal)
Temperature range max.	350 °C   662 °F   623.15 K
Temperature range min.	196 °C   320.8 °F   77.15 K

Order number	Welded flange ring, stainless steel 316L/1.4404, DN 100 ISO-K, 2.1 mm
Welded flange ring, stainless steel 316L/1.4404, DN 100 ISO-K, 2.1 mm	370FAN100-101



Errors and/or changes excepted. - 5/14/2025

Are you looking for an optimum vacuum solution?  
Talk to us:  
**Pfeiffer Vacuum Components & Solutions GmbH Germany**  
T +49 551 99963-0  
info-cs@pfeiffer-vacuum.com

Or scan the barcode, to visit our web page:



<https://webportal.pfeiffer-vacuum.com/global/en/contact>

Follow Us On Social Media  
#pfeiffervacuum



[www.pfeiffer-vacuum.com](http://www.pfeiffer-vacuum.com)

**PFEIFFER** 