

Centering ring

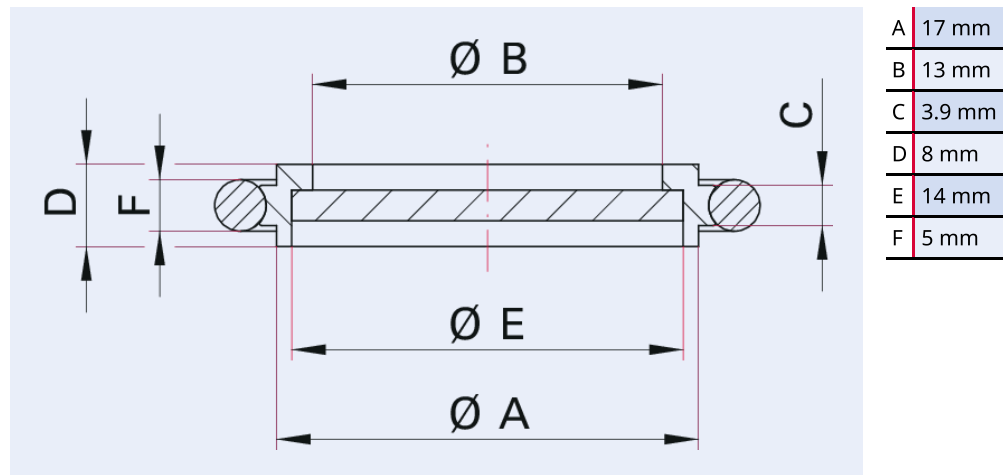


Illustration only

Centering ring with sintered metal filter, stainless steel, FKM, DN 16 ISO-KF

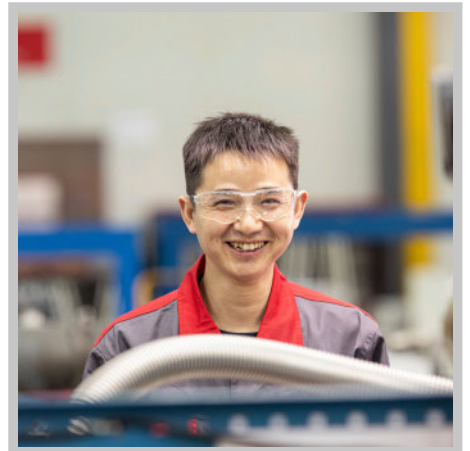
- With Sintered Metal Filter made of Sintered Bronze
- Mesh size (average pore size): approx. 0.02 mm
- With FKM-o-ring

Dimensions



Technical Data	Centering ring with sintered metal filter, stainless steel, FKM, DN 16 ISO-KF
Mesh	Average pore diameter: Approximately 0.02 mm or 0.004 mm
O-ring material	FKM
Temperature range	15 – 150 °C
Connection flange	DN 16 ISO-KF
Material	Ring: Stainless steel 1.4301/304, Sintered Metal Filter: Sintered bronze
Temperature range max.	150 °C 302 °F 423.15 K
Temperature range min.	15 °C 5 °F 258.15 K

Order number	Centering ring with sintered metal filter, stainless steel, FKM, DN 16 ISO-KF
Centering ring with sintered metal filter, stainless steel, FKM, DN 16 ISO-KF	122ZRS016



Errors and/or changes excepted. - 5/15/2025

Are you looking for an optimum vacuum solution?
Talk to us:
Pfeiffer Vacuum Components & Solutions GmbH Germany
T +49 551 99963-0
info-cs@pfeiffer-vacuum.com

Or scan the barcode, to visit our web page:



<https://webportal.pfeiffer-vacuum.com/global/en/contact>

Follow Us On Social Media
#pfeiffervacuum



www.pfeiffer-vacuum.com

PFEIFFER 