

# Modular chamber, base plate, DN 320

---

**PFEIFFER** 

# Modular chamber

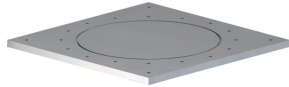
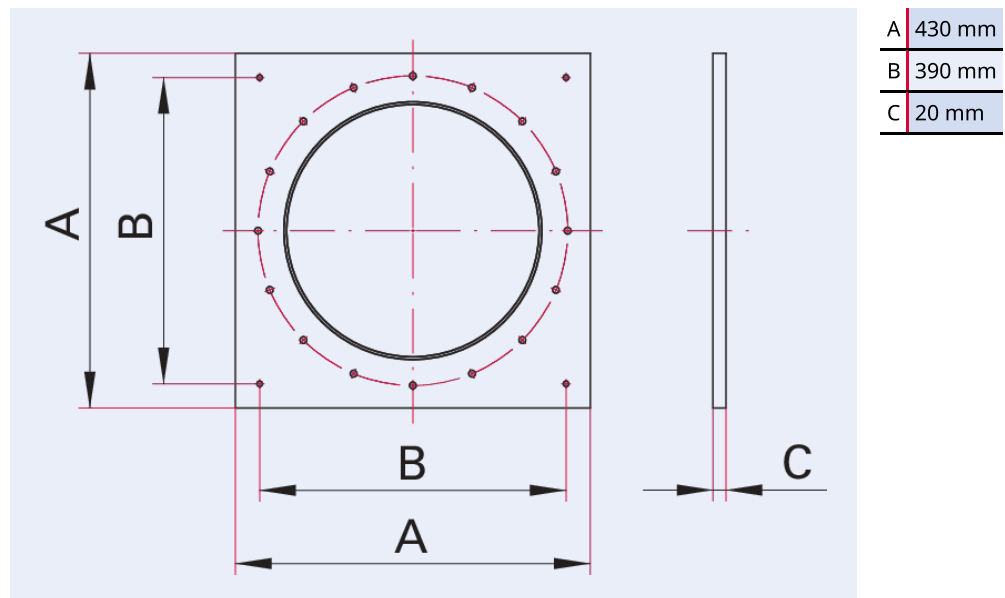


Illustration only

## Modular chamber, base plate, DN 320

- Modular design for maximum flexibility at any time
- Square base plate with centering groove and sealing surface for an ISO-K centering ring and bolt circle with threaded holes for ISO-K claw clamps
- Fixing holes for mounting
- Ground surface

## Dimensions



<b>Technical Data</b>	<b>Modular chamber, base plate, DN 320</b>
Materials in contact with media	Stainless steel 1.4301 (AISI 304)
Temperature range	15 – 150 °C
Tightness	<1 · 10 <sup>-9</sup> Pa m <sup>3</sup> /s   <7.5 · 10 <sup>-9</sup> Torr l/s   <1 · 10 <sup>-8</sup> mbar l/s
Connection flange	DN 320 ISO-K
Pressure range	1 · 10 <sup>-7</sup> hPa – 5 · 10 <sup>2</sup> hPa over pressure
Temperature range max.	150 °C   302 °F   423.15 K
Temperature range min.	15 °C   5 °F   258.15 K

<b>Order number</b>	<b>Modular chamber, base plate, DN 320</b>
Modular chamber, base plate, DN 320	820KMB320



Errors and/or changes excepted. - 5/14/2025

Are you looking for an optimum vacuum solution?

Talk to us:

**Pfeiffer Vacuum Components & Solutions GmbH Germany**

**T +49 551 99963-0**

**info-cs@pfeiffer-vacuum.com**

Or scan the barcode, to visit our web page:



<https://webportal.pfeiffer-vacuum.com/global/en/contact>

Follow Us On Social Media

#pfeiffervacuum



[www.pfeiffer-vacuum.com](http://www.pfeiffer-vacuum.com)

**PFEIFFER** 