



Quick-Release clamping ring, aluminum/plastic, DN 32-40 ISO-KF

PFEIFFER 

Quick-Release clamping ring

PFEIFFER 

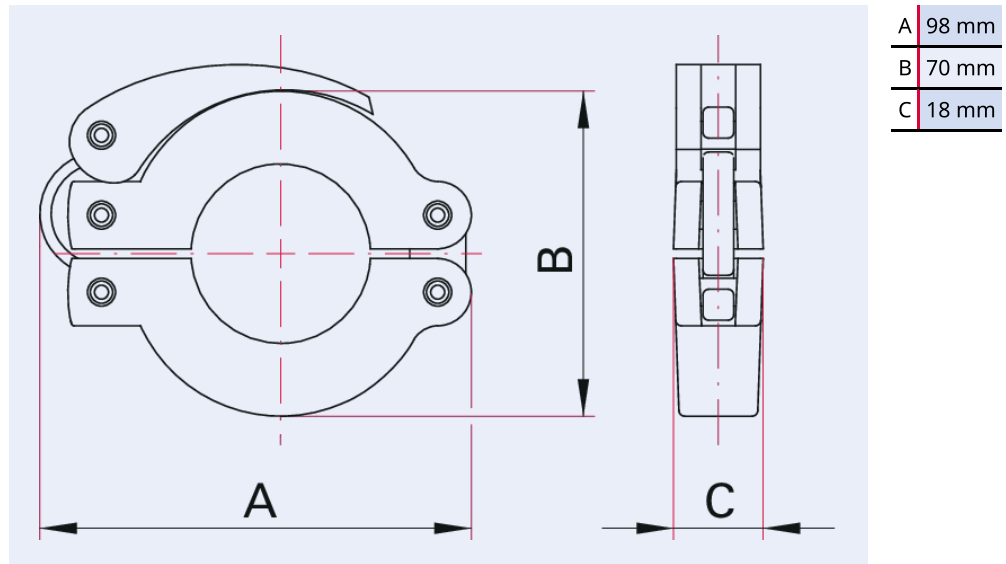


Illustration only

Quick-Release clamping ring, aluminum/plastic, DN 32-40 ISO-KF

- Suitable for use with elastomer seals
- Not to be used for the installation of turbo pumps! Use the fastening elements given in the corresponding operating instructions.

Dimensions



Technical Data	Quick-Release clamping ring, aluminum/plastic, DN 32-40 ISO-KF
Over pressure max.	500 hPa
Temperature range	10 – 80 °C
Overpressure max.	500 hPa 375 Torr 500 mbar
Connection flange	DN 32 – DN 40 ISO-KF
Material	Aluminum / Plastic
Temperature range max.	80 °C 176 °F 353.15 K
Temperature range min.	10 °C 14 °F 263.15 K

Order number	Quick-Release clamping ring, aluminum/plastic, DN 32-40 ISO-KF
Quick-Release clamping ring, aluminum/plastic, DN 32-40 ISO-KF	110BSS040



Errors and/or changes excepted. - 5/14/2025

Are you looking for an optimum vacuum solution?

Talk to us:

Pfeiffer Vacuum Components & Solutions GmbH Germany

T +49 551 99963-0

info-cs@pfeiffer-vacuum.com

Or scan the barcode, to visit our web page:



<https://webportal.pfeiffer-vacuum.com/global/en/contact>

Follow Us On Social Media

#pfeiffervacuum



www.pfeiffer-vacuum.com

PFEIFFER 